

PRO PAC

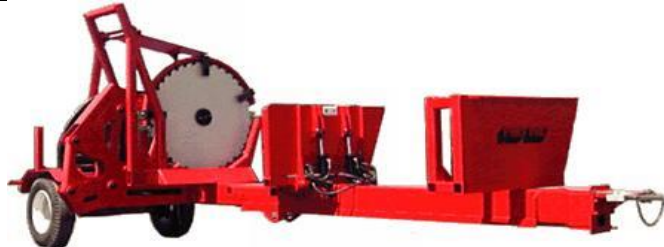
**Pamphlet
slashers**



**Model 600
500 arm**



Model 500



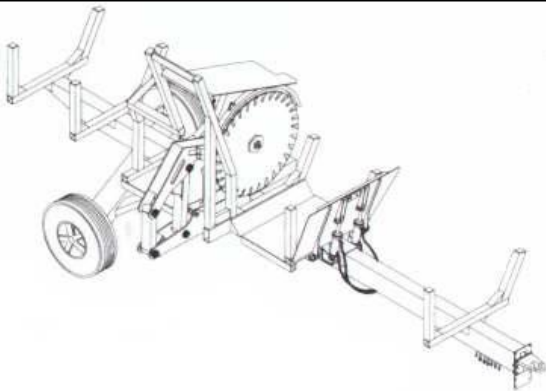
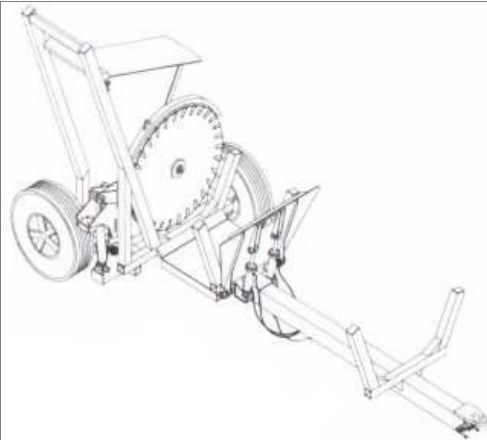
Model 600

Hydraulic Specifications

Motor Volvo-----Piston
 Operating Pressure-----2250 PSI
 *Cylinder 3" dia-----Qty 3
 Flow-----46 GPM
 Hydraulic Butt Plate Weight-----1000lbs
 *Cylinders 3-1/2 dia (model 500)-----Qty 1

Model 500

Saw Blade-----60"
 Tires-----1000-20
 Butt Plates-----48"-50" 96"-100"
 Cut Length-----48" -16'-04"
 Overall Length-----19'-07"
 Weight-----5000lbs (with saw)



Model 600

Saw Blade-----60"
 Tires-----1000-20
 Butt Plates-----48"-50" 96"-100"
 Cut Length-----48" -16'-04"
 Overall Length-----28'-07"
 Adjustable Pintle Hook
 Weight-----8900lbs (with saw)

PRO PAC Industries
 415, route Kennedy, Saint-côme Linière,
 Beauce, (Qué.) G0M 1J0
 Tél. : (418) 685-2050 fax :
 (418) 685-3296
 E-mail : propac@quebectel.com



Slashers Options



Tail lights



Air brakes



Rear bunks



Fenders



Modèle 500 hitch



Hydraulic attachments model 600



45° Offset hitch



Standard rear 600



Protection hyd. butt plate model 600



Pined butt plate



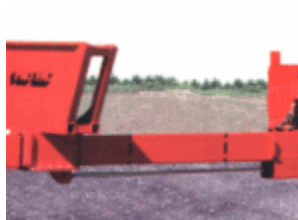
Welded bunks



Protection hyd. model 500



Flip down butt plate



Hydraulic butt plate 100" , 200"



Fix butt plate



Electric lite hitch



Air brake attachment



Butt plate pined



60" Saw blade



Motor Volvo



Saw guides
